

INSTRUCTION – “QUIK-SET” MICROMETER GAUGES

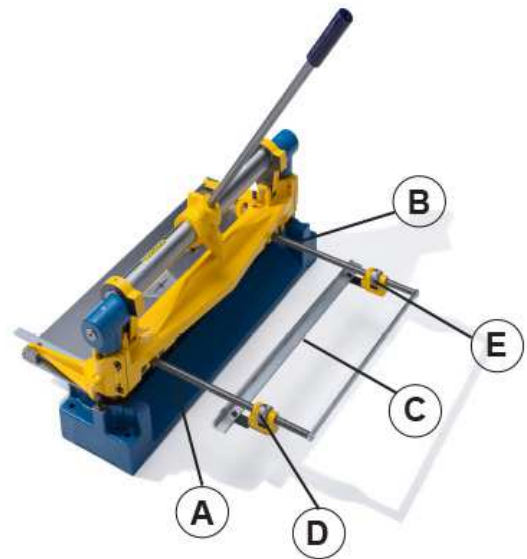
“QUIK-SET” MICROMETER GAUGES ARE SHIPPED FROM THE FACTORY INSTALLED ON ALL SHEARS. TO INSTALL “QUIK-SET” MICROMETER GAUGES ON HAND MODELS ALREADY IN THE FIELD, FOLLOW PROCEDURES LISTED BELOW:

INSTALLATION:

1. REMOVE OLD MATERIAL GAUGE AND BEARING RODS FROM SHEAR
2. MOUNT MATERIAL STOP **C** ON MICROMETER GAUGE **E**
3. SCREW IN THREADED RODS **A** & **B** BY HAND UNTIL THEY STOP – MAKE SURE LOCK NUTS ARE LOOSE
4. SYNCHRONIZE GAUGES

TO SYNCHROMIZE GAUGES:

1. SET MICROMETER GAUGES **D** & **E** ON ZERO
2. PUSH DOWN OR DEPRESS SPRING LOADED MICROMETER GAUGES TO RELEASE THEM FROM THREADED RODS AND SLIDE MATERIAL STOP ASSEMBLY FORWARD UNTIL IT TOUCHES LOWER SHEAR BLADE
3. TURN MICROMETER GAUGES **D** & **E** TO ENGAGE THREADED RODS
4. TURN THREADED RODS **A** & **B** COUNTER CLOCKWISE AND MICROMETER GAUGES **D** & **E** CLOCKWISE UNTIL MATERIAL STOP **C** TOUCHES LOWER SHEAR BLADE AND MICROMETER GAUGES READ ZERO
5. TIGHTEN LOCK NUT ON EACH THREADED ROD



ADJUSTING “QUIK-SET” MICROMETER GAUGES:

OPERATOR CAN EASILY AND QUICKLY ADJUST GAUGES WHILE STANDING EITHER IN FRONT OR BACK OF SHEAR.

TO ADJUST:

1. SET BOTH MICROMETER GAUGES *ON ZERO* AND PUSH DOWN OR DEPRESS – THIS RELEASES THE MATERIAL STOP ASSEMBLY FROM THE THREADED RODS
2. MOVE MATERIAL STOP TO APPROXIMATE DESIRED LOCATION (COMPLETE ASSEMBLY CAN BE FREELY MOVED BACK AND FORTH ON THREADED RODS WHEN MICROMETER GAUGES ARE DEPRESSED) AND ADJUST MICROMETER GAUGES TO ACCURATELY POSITION MATERIAL STOP