

#1A HAND BENDER

OPERATION AND PARTS MANUAL



12430 55th St N · Oak Park Heights, MN 55082

Phone: 651.342.1756 · Fax: 651.342.1293

Email: info@diacro.com

TABLE OF CONTENTS

SAFETY INFORMATION	PG. 3
MAINTENANCE	PG. 3
#1A HAND BENDER PARTS BREAKDOWN	PG. 4-5
QUIK LOK PARTS BREAKDOWN	PG. 6
OPTIONAL STAND	PG. 7
WARRANTY	PG. 8

SAFETY INFORMATION



Before bender is set up for operation, mount on work bench or stand with stand or work bench bolted in place.

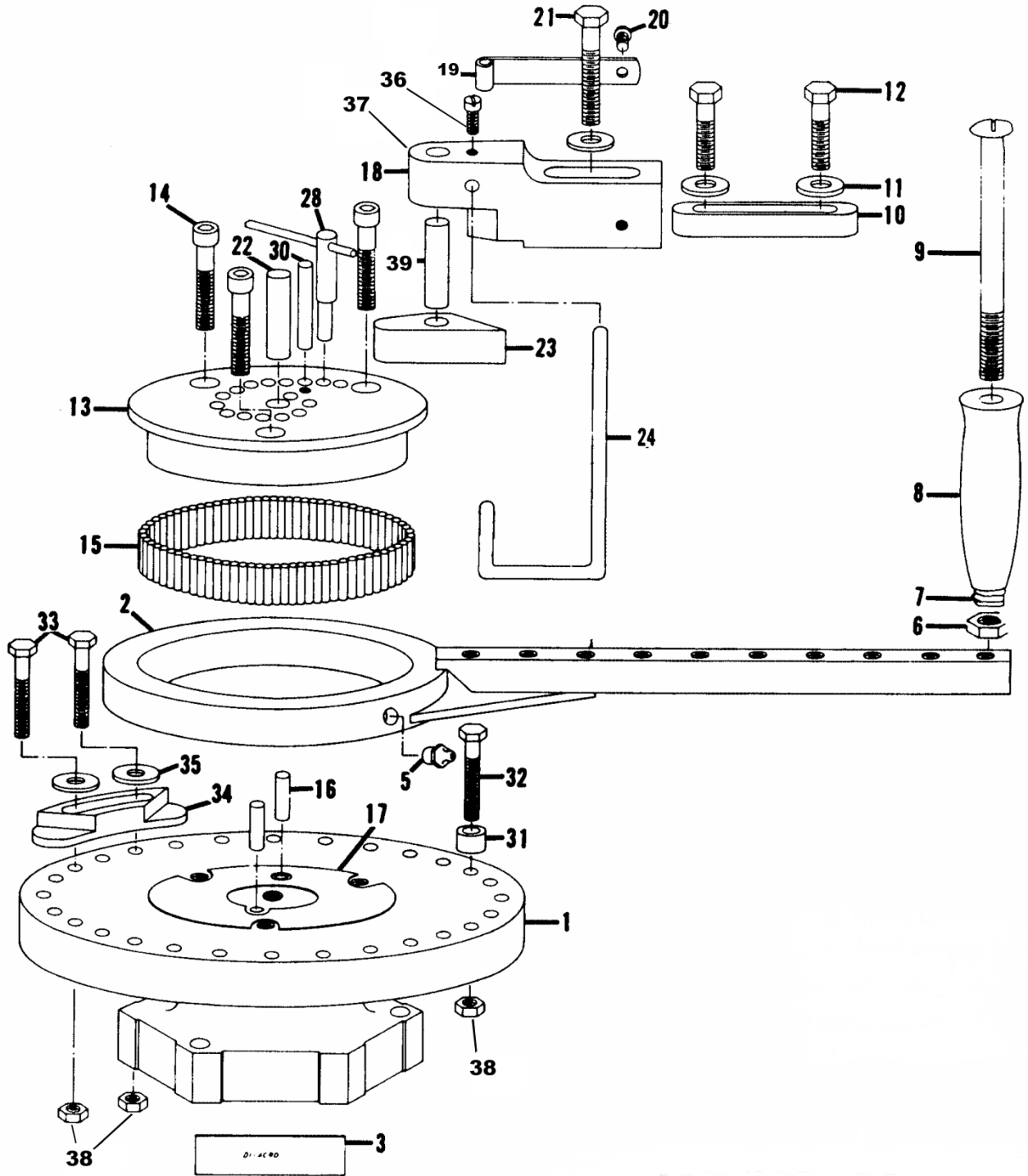
***IF BENDER IS MOUNTED ON ITS OWN STAND, SECURE STAND TO FLOOR.**

MAINTENANCE

Keep machine surfaces clean and free of debris. Periodically add grease in grease fitting.

#1A HAND BENDER PARTS BREAKDOWN

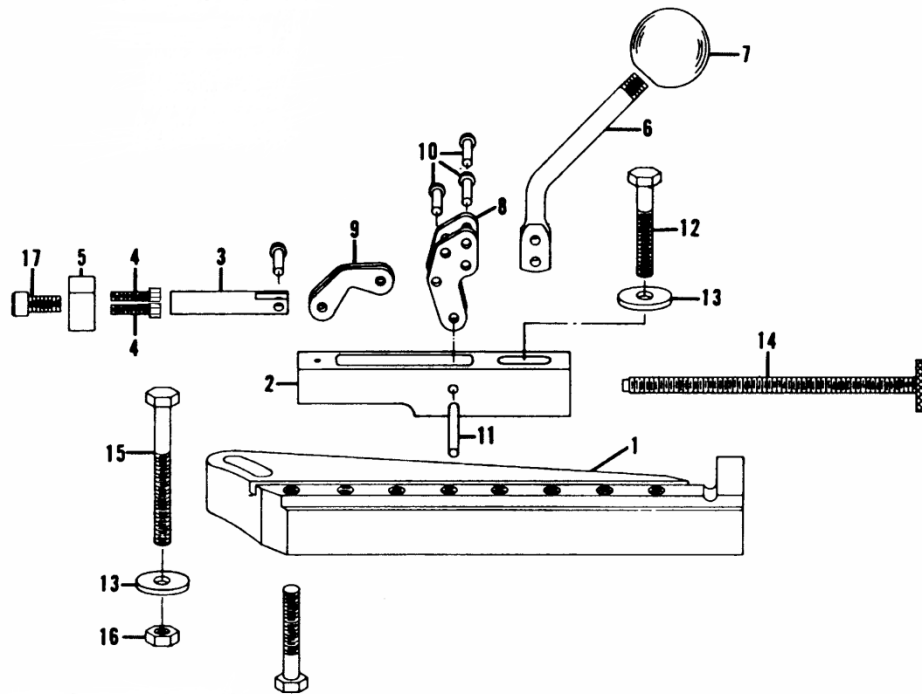
8110800-080



PARTS LIST 8110800-080

ITEM	PART NUMBER	DESCRIPTION	QTY
1	8110110-100	BASE	1
2	8110120-800	HANDLE ARM WLDMT	1
3	8150650-110	NAMEPLATE	1
5	120-0191-P	GREASE FITTING	1
6	30X0102CBO	NUT-FULL 1/2-13 BLACK OXIDE	1
8	8120811-400	HANDLE-REVOLVING	1
9	20A0102C4000	SCREW-SHCS 1/2-13X4	1
10	8100121-701	NOSE HOLDER SUPPORT	1
11	0308WILLIAMS	3/8 WILLIAMS WASHER	3
12	21A0308C1104	SCREW-HHCS 3/8-16X1-1/4	2
13	8110110-501	MOUNTING PLATE	1
14	20A03081102	SCREW-SHCS 3/8-16X1-1/2	3
15	8310301-200	NEEDLE ROLLER	97
16	8110120-301	MOUNTING PLATE PIN	2
17	8110570-203	SHIM	6
18	8000121-701	NOSE HOLDER	1
19	8110510-401	NOSE SPRING	1
20	20B0104C0308	SCREW-BHSCS 1/4-20X3/8	1
21	21A0308C2000	SCREW-HHCS 3/8-16X2	1
22	8110008-970	CENTER RADIUS PIN	1
23	8110121-701	FORMING NOSE	1
24	8120142-071	BEND LOCATING GAUGE ASSEMBLY	
	8120142-003	BEND LOCATING ARM	1
	8110142-003	BEND LOCATING ROD	1
	8100142-003	BEND LOCATING BUTTON	1
	8470511-800	RETAINING RING	2
28	8110120-370	LOCKING PIN ASSEMBLY	1
30	8110120-303	HOLDING PIN	1
31	8000142-001	RETURN STOP	1
32	21A0516C2000	SCREW-HHCS 5/16-18X2	1
33	21A0516C2000	SCREW-HHCS 5/16-18X2	2
34	8110142-001	ANGLE GAUGE	1
35	61X0516	WASHER-FLAT 5/16	2
36	23A0104C0308	SCREW-SSS 1/4X3/8	1
37	23A0516C0308	SCREW-SSS 5/16X3/8	1
38	30X0516C	NUT-FULL 5/16-16	3
39	19A0102X1304	NOSE PIN (DP 1/2 X 1-3/4)	1

#1A QUIK-LOK ASSEMBLY PARTS BREAKDOWN 8116111-373



PARTS LIST

ITEM	PART NUMBER	DESCRIPTION	QTY
1	8116111-300	BASE	1
2	8116111-302	HANGAR A	1
3	8000111-300	SLIDE ARM	1
4	21A0X10C0508	SCREW-HHCS #10-24X5/8	2
5	8100111-300	NOSE	1
6	8200111-300	HANDLE ARM	1
7	8120810-600	PLASTIC KNOB	1
8	8111312-400	HANDLE LINK	2
9	8111312-500	LINK	2
10	8470310-100	RIVET	4
11	19A0316X1104	PIN-DOWEL 3/16X1-1/4	1
12	21A0516C1304	SCREW-HHCS 5/16-18X1-3/4	2
13	0308WILLIAMS WASHER	WASHER-WILLIAMS 3/8	2
14	8100111-303	SUPPORT SCREW WLDMT	1
14A	31X0516C	NUT-JAM 5/16-18	1
15	21A0516C2102	SCREW-HHCS 5/16-18X2-1/2	1
16	30X0516C	NUT-FULL 5/16-18	1
17	20A0516C0508	SCREW-SHCS 5/16-18X5/8	1

OPTIONAL STAND

PART NUMBER 8230110-900

STAND DIMENSIONS - 20" WIDE, 15" DEEP, 33-1/4" HIGH

CALL DI-ACRO FOR PRICE AND AVAILABILITY



Fasteners needed to attach Hand Bender to stand are the following
(Fasteners to attach stand to floor are not included.)

PART NUMBER	DESCRIPTION	QTY
21A0308C2102	Screw-HHCS 3/8-16X2-1/2	3
61X0308	Washer-Flat 3/8	3
30X0308C	Nut-Hex Full 3/8-16	3

Warranty & Limitation of Liability

Defective parts, of a product manufactured by DI-ACRO, will be replaced or repaired at no charge for twelve (12) months following delivery to the original purchaser. Labor is included for the first 90 days. This warranty becomes void when products have not been used according to instructions furnished by DI-ACRO, nor does it cover any altered parts or unauthorized repairs. We cannot be responsible for the cost of repairs made or attempted outside of our factory. All other warranty claims are made FOB our plant, providing such items(s) is returned freight prepaid to our plant for examination.

This warranty does not apply to parts, components or systems not manufactured by DI-ACRO. These products are covered instead by the existing warranties, if any, of their manufacturers. Normal service items with a reasonable life expectancy of less than one year are warranted only to the extent of the reasonable life under normal use and service.

Authorization must be obtained from DI-ACRO before returning parts or equipment to the factory. DI-ACRO will satisfy this warranty by replacing the product or refunding the purchase price upon receipt, inspection and defect identification.

DI-ACRO's liability under this warranty shall not exceed the amount paid for the product.

THIS IS DI-ACRO'S SOLE WARRANTY IN LIEU OF ALL OTHER WARRANTIES, EXPRESS OR IMPLIED, WHICH ARE HEREBY EXCLUDED, INCLUDING IN PARTICULAR ALL WARRANTIES OF MERCHANTABILITY, FITNESS OR ANY LOSS, DAMAGE OR EXPENSES DIRECTLY OR INDIRECTLY RELATED TO THE USE OF ITS PRODUCT OR FROM ANY OTHER CAUSE OR FOR CONSEQUENTIAL DAMAGES INCLUDING, WITHOUT LIMITATION, LOSS OF TIME AND LOSS OF PRODUCTION.

IT IS EXPRESSLY UNDERSTOOD THAT DI-ACRO IS NOT RESPONSIBLE FOR DAMAGE OR INJURY CAUSED TO OTHER PRODUCTS, MACHINERY, PROPERTY OR PERSONS BY REASON OF THE USE OF ITS PRODUCTS.



12430 55th St N · Oak Park Heights, MN 55082

Phone: 651.342.1756 · Fax: 651.342.1293

Email: info@diacro.com